




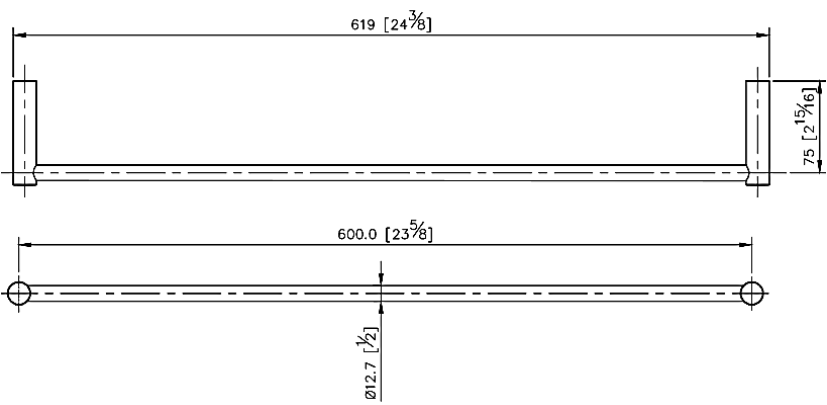
PROJECT		REF		REV	ITEM CODE	
LOCATION		DATE			PAGE	

SANITARY WARE SPECIFICATION SHEET

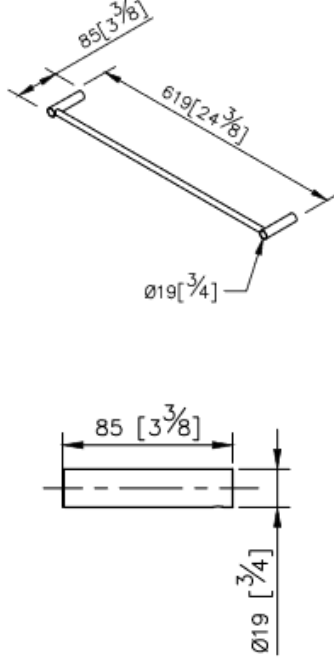
Item Descriptions	Justime (Taiwan) Chrome plated towel bar (600mm)	Illustration/ Drawing 
Dimensions	L619 x W85 x H19 mm	
Model	6807-10-80CP	
Material / Finish	Brass / Chrome Plated	
Manufacturer	Justime (Taiwan)	
Source	Acme Sanitary Ware Co. Ltd Mr. Eric Wong/ Mr. Don Yuen	
Contact Tel/Fax	(852) 2388-7171 / (852) 2710-8012	
E-mail Website	acme@acmesanitary.com.hk www.acmesanitary.com.hk	

DESCRIPTION:

1. Brass of body meets JIS 3604 standard.
2. Premium metal construction for durability.
3. Justime finishes resist corrosion and tarnish.
4. Finish meets the standard of ASTM-SC2.
5. Correctly installed product's loading is 4 kgf.
6. Coordinates with other products in Still One Collection.



Technical drawings showing dimensions: Overall length 619 [24 3/8], mounting hole spacing 600.0 [23 5/8], hole diameter 12.7 [1/2], end cap height 75 [2 15/16].



Technical drawings showing dimensions: End view length 85 [3 3/8], hole diameter 19 [3/4].

Note:

* All information of the above is for the reference only. No prior notice is made if any changes.